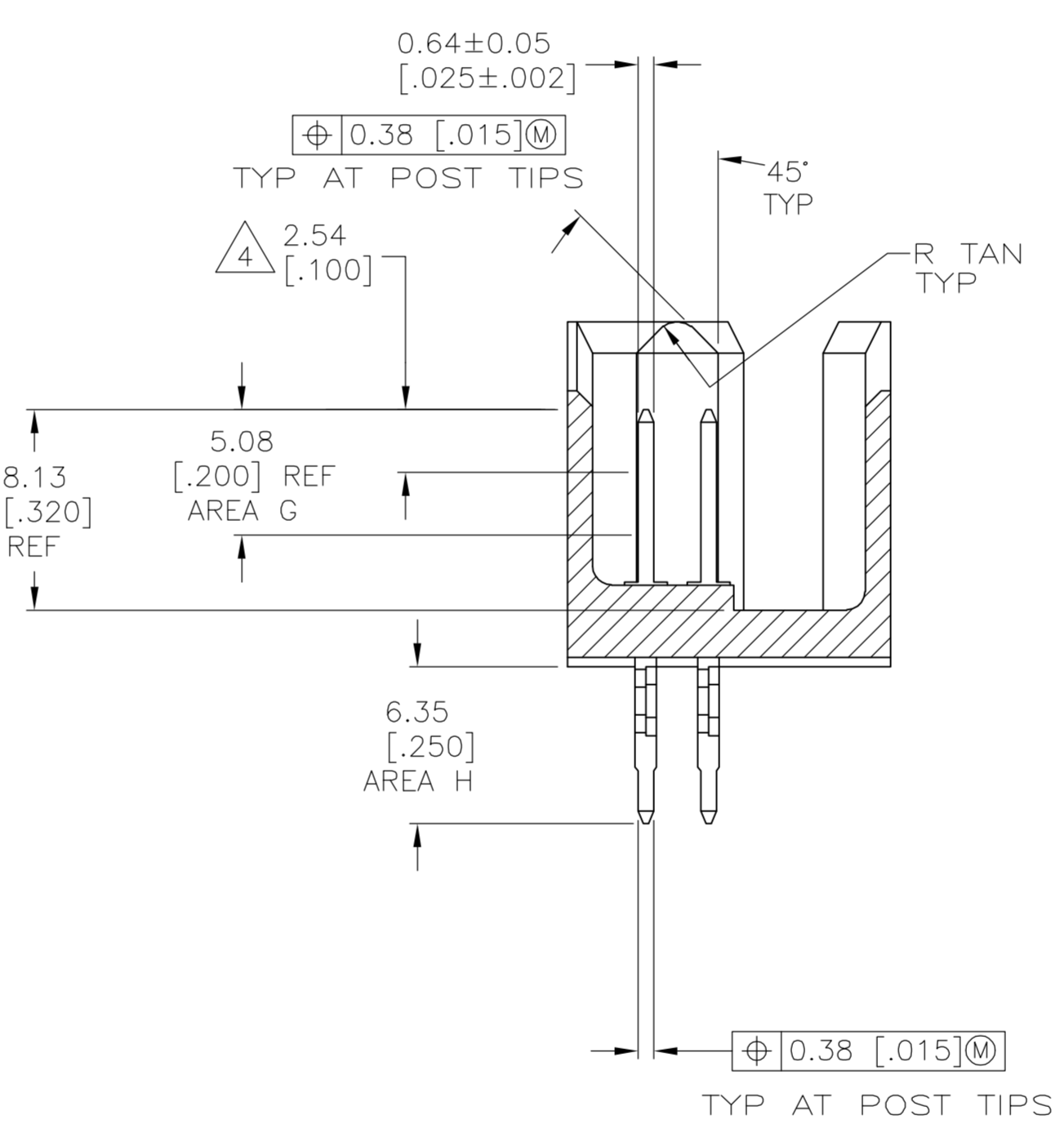
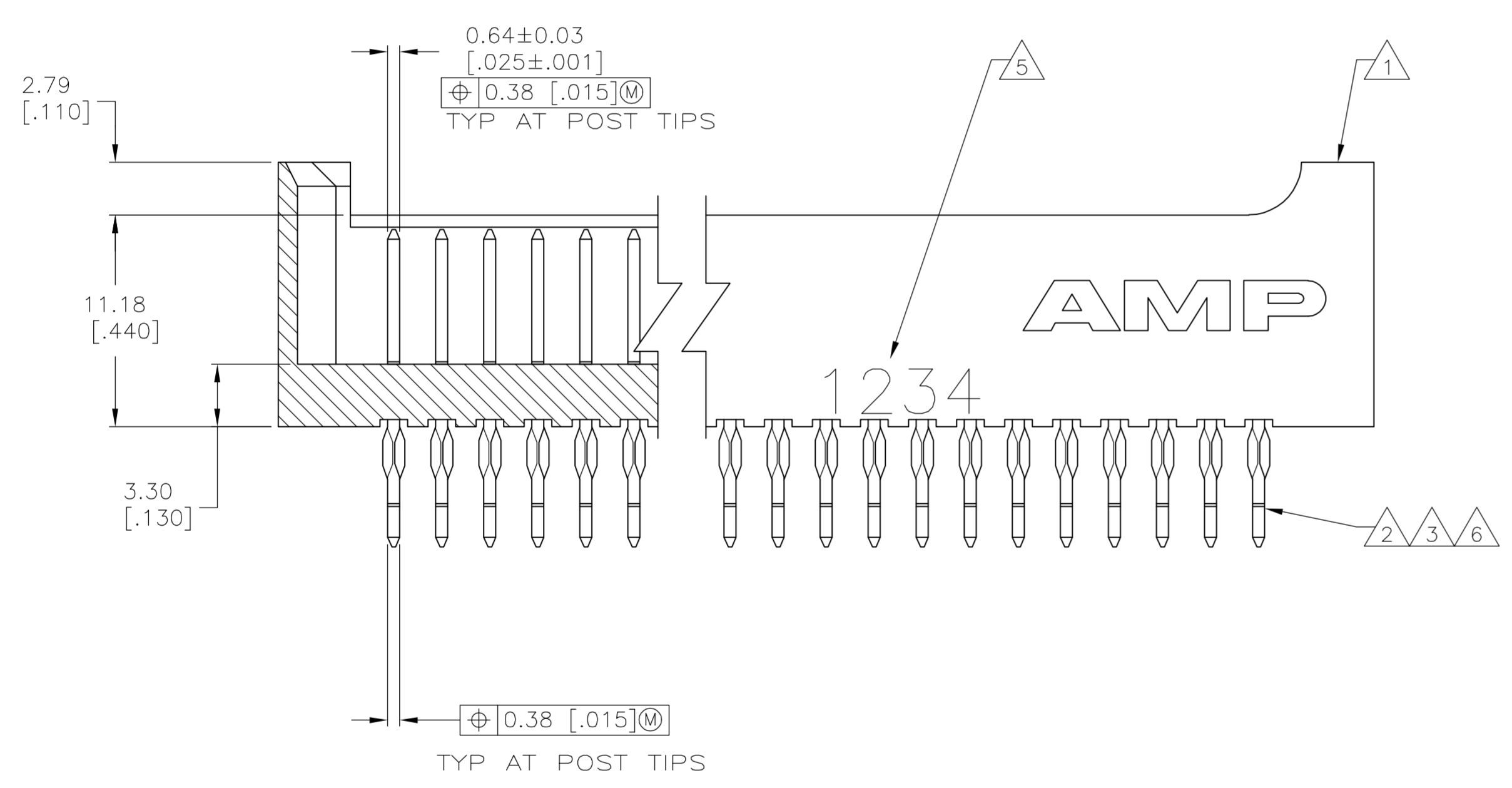
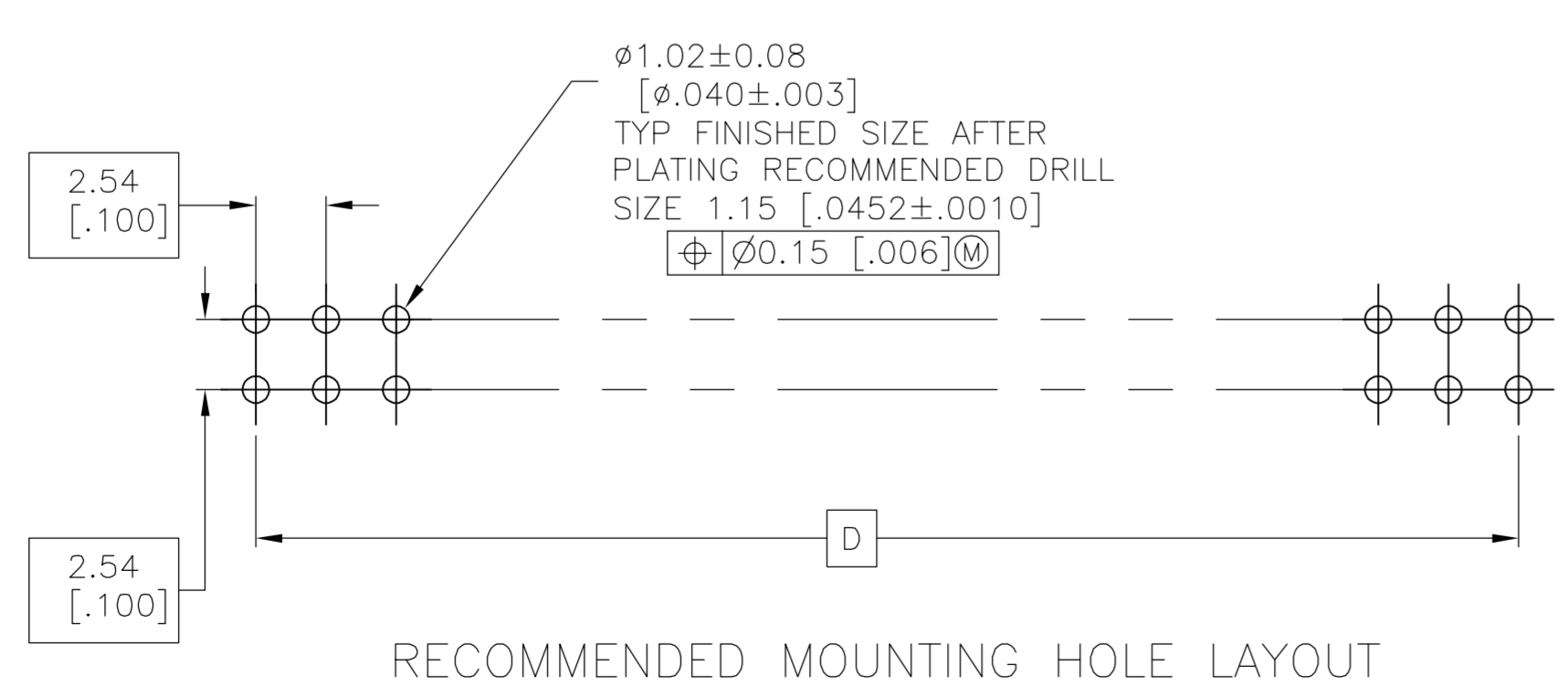


- 1 HOUSING: FLAME RETARDANT THERMOPLASTIC; COLOR: BLACK.
- 2 POST: COPPER ALLOY.
- 3 POST FINISH: 0.00076 [.000030] GOLD IN AREA G, 0.00254-0.00508 [.000100-.000200] MATTE TIN IN AREA H, ALL OVER 0.00127 [.000050] NICKEL.
- 4 POINT OF MEASUREMENT FOR PLATING THICKNESS.
- 5 RECESSED DATE CODE. CSA LOGO RECESS STAMPED ON HOUSING.
- 6 DUPLEX PLATING: 0.00076 [.000030] GOLD IN AREA G, 0.00254-0.00508 [.000100-.000200] MATTE TIN IN AREA H, ALL OVER 0.00127 [.000050] NICKEL.
- 7 ROHS 2002/95/EC COMPLIANT.



SECTION Z-Z
 ROTATED 90° CW



RECOMMENDED MOUNTING HOLE LAYOUT

THIS DRAWING IS A CONTROLLED DOCUMENT.		DWN K.L.CLOUSER/UTA 4/2/91		Tyco Electronics Corporation Harrisburg, PA 17105-3608	
DIMENSIONS: mm		CHK D SARVER		NAME	PRODUCT SPEC
TOLERANCES UNLESS OTHERWISE SPECIFIED:		APVD	DATE	HEADER ASSY, MOD II, DOUBLE ROW, 2.54 X 2.54 [.100 X .100]CL, .025 SQ COMPLIANT PIN POST, FOR .093 NOM AND THICKER BOARDS	
0 PLC ± - 1 PLC ± - 2 PLC ± 0.13 [.005] 3 PLC ± - 4 PLC ± - ANGLES ± -		MATERIAL	SIZE	CAGE CODE	DRAWING NO
SEE TABLE		FINISH	WEIGHT	A1	00779
		REVISIONS	SCALE	102690	RESTRICTED TO
		CUSTOMER DRAWING	4:1	1	2

OBSOLETE		210.06 [8.270]	200.66 [7.900]	79	210.82 [8.300]	212.85 [8.380]	160	∇ 7	7-102690-8
								∇ 7	7-102690-7
								∇ 7	7-102690-6
								∇ 7	7-102690-5
								∇ 7	7-102690-4
								∇ 7	7-102690-3
								∇ 7	7-102690-2
								∇ 7	7-102690-1
								∇ 7	7-102690-0
								∇ 7	6-102690-9
OBSOLETE	∇ 6	98.30 [3.870]	88.90 [3.500]	35	22.86 [.900]	101.09 [3.980]	72	∇ 7	6-102690-8
		95.76 [3.770]	86.36 [3.400]	34	96.52 [3.800]	98.55 [3.880]	70	∇ 7	6-102690-7
		57.66 [2.270]	48.26 [1.900]	19	58.42 [2.300]	60.45 [2.380]	40	∇ 7	6-102690-6
		44.96 [1.770]	35.56 [1.400]	14	45.72 [1.800]	47.75 [1.880]	30	∇ 7	6-102690-5
		27.18 [1.070]	17.78 [.700]	7	27.94 [1.100]	29.97 [1.180]	16	∇ 7	6-102690-4
		32.26 [1.270]	22.86 [.900]	9	33.02 [1.300]	35.05 [1.380]	20	∇ 7	6-102690-3
								∇ 7	6-102690-2
		121.16 [4.770]	111.76 [4.400]	44	121.92 [4.800]	113.79 [4.480]	90	∇ 7	6-102690-1
		260.86 [10.270]	251.46 [9.900]	99	261.62 [10.300]	263.65 [10.380]	200	∇ 7	6-102690-0
	OBSOLETE		159.26 [6.270]	149.86 [5.900]	59	160.02 [6.300]	162.05 [6.380]	120	∇ 7
		133.86 [5.270]	124.46 [4.900]	49	134.62 [5.300]	136.65 [5.380]	100	∇ 7	5-102690-8
		128.78 [5.070]	119.38 [4.700]	47	129.54 [5.100]	131.57 [5.180]	96	∇ 7	5-102690-7
		108.46 [4.270]	99.06 [3.900]	39	109.22 [4.300]	111.25 [4.380]	80	∇ 7	5-102690-6
		83.06 [3.270]	73.66 [2.900]	29	83.82 [3.300]	85.85 [3.380]	60	∇ 7	5-102690-5
		70.36 [2.770]	60.96 [2.400]	24	71.12 [2.800]	73.15 [2.880]	50	∇ 7	5-102690-4
		52.58 [2.070]	43.18 [1.700]	17	53.34 [2.100]	55.37 [2.180]	36	∇ 7	5-102690-3
		37.34 [1.470]	27.94 [1.100]	11	38.10 [1.500]	40.13 [1.580]	24	∇ 7	5-102690-2
		22.10 [.870]	12.70 [.500]	5	22.86 [.900]	24.89 [.980]	12	∇ 7	5-102690-1
FINISH		E	D	C	B	A	NO OF POSN	PART NUMBER	

OBSOLETE		210.06 [8.270]	200.66 [7.900]	79	210.82 [8.300]	212.85 [8.380]	160		2-102690-8
									2-102690-7
									2-102690-6
									2-102690-5
									2-102690-4
									2-102690-3
									2-102690-2
									2-102690-1
									2-102690-0
									1-102690-9
OBSOLETE	∇ 3	98.30 [3.870]	88.90 [3.500]	35	22.86 [.900]	101.09 [3.980]	72		1-102690-8
		95.76 [3.770]	86.36 [3.400]	34	96.52 [3.800]	98.55 [3.880]	70		1-102690-7
		57.66 [2.270]	48.26 [1.900]	19	58.42 [2.300]	60.45 [2.380]	40		1-102690-6
		44.96 [1.770]	35.56 [1.400]	14	45.72 [1.800]	47.75 [1.880]	30		1-102690-5
		27.18 [1.070]	17.78 [.700]	7	27.94 [1.100]	29.97 [1.180]	16		1-102690-4
		32.26 [1.270]	22.86 [.900]	9	33.02 [1.300]	35.05 [1.380]	20		1-102690-3
									1-102690-2
		121.16 [4.770]	111.76 [4.400]	44	121.92 [4.800]	113.79 [4.480]	90		1-102690-1
		260.86 [10.270]	251.46 [9.900]	99	261.62 [10.300]	263.65 [10.380]	200		1-102690-0
	OBSOLETE		159.26 [6.270]	149.86 [5.900]	59	160.02 [6.300]	162.05 [6.380]	120	
		133.86 [5.270]	124.46 [4.900]	49	134.62 [5.300]	136.65 [5.380]	100		102690-8
		128.78 [5.070]	119.38 [4.700]	47	129.54 [5.100]	131.57 [5.180]	96		102690-7
		108.46 [4.270]	99.06 [3.900]	39	109.22 [4.300]	111.25 [4.380]	80		102690-6
		83.06 [3.270]	73.66 [2.900]	29	83.82 [3.300]	85.85 [3.380]	60		102690-5
		70.36 [2.770]	60.96 [2.400]	24	71.12 [2.800]	73.15 [2.880]	50		102690-4
		52.58 [2.070]	43.18 [1.700]	17	53.34 [2.100]	55.37 [2.180]	36		102690-3
		37.34 [1.470]	27.94 [1.100]	11	38.10 [1.500]	40.13 [1.580]	24		102690-2
		22.10 [.870]	12.70 [.500]	5	22.86 [.900]	24.89 [.980]	12		102690-1
FINISH		E	D	C	B	A	NO OF POSN	PART NUMBER	

THIS DRAWING IS A CONTROLLED DOCUMENT. DWN: K.L. CLOUSER/UTA 4/22/91
 OK: D. SARVER 6-19-91
 APVD:

tyco Tyco Electronics Corporation
 Harrisburg, PA 17105-3608

NAME: HEADER ASSY, MOD II, DOUBLE ROW.
 PRODUCT SPEC: 2.54 X 2.54 [.100 X .100]CL, .025 SQ COMPLIANT
 APPLICATION SPEC: PIN POST, FOR .093 NOM AND THICKER BOARDS

SIZE: A1 CAGE CODE: 00779 DRAWING NO: 102690
 WEIGHT: - RESTRICTED TO: -
 CUSTOMER DRAWING SCALE: 4:1 SHEET 2 OF 2 REV L1